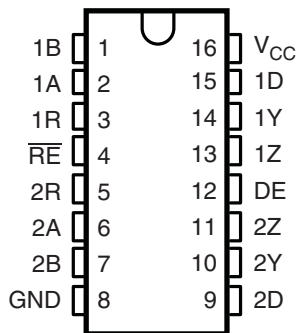


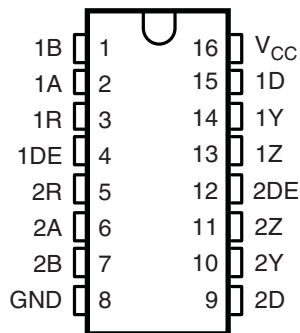
FEATURES

- Meet or Exceed Standards TIA/EIA-422-B and ITU Recommendation V.11
- Operate From Single 5-V Power Supply
- Driver Positive and Negative Current Limiting
- Receiver Input Sensitivity: $\pm 200\text{mV}$
- Receiver Input Impedance: 12 k Ω Min
- Driver 3-State Outputs
- Receiver 3-State Outputs (SN7534050 Only)

SN7534050...N OR NS PACKAGE
(TOP VIEW)



SN7534051...N OR NS PACKAGE
(TOP VIEW)



DESCRIPTION/ORDERING INFORMATION

The SN7534050 and SN7534051 dual differential drivers and receivers are monolithic integrated circuits designed to meet the requirements of ANSI standards TIA/EIA-422-B and ITU Recommendations V.11.

The driver outputs provide limiting for both positive and negative currents and thermal shutdown protection from line fault conditions on transmission bus line.

The SN7534050 combines dual 3-state differential drivers and dual 3-state differential input receivers. The drivers and receivers have active-high and active-low enables, respectively which can be externally connected together to function as direction control. SN7534051 drivers each have an individual active-high enable.

ORDERING INFORMATION

| T _A | PACKAGE ⁽¹⁾⁽²⁾ | | ORDERABLE PART NUMBER | TOP-SIDE MARKING |
|----------------|---------------------------|--------------|-----------------------|------------------|
| –20°C to 85°C | PDIP – N | Tube of 25 | SN7534050N | SN7534050N |
| | | Reel of 1000 | SN7534050NS | SN7534050 |
| | SOP – NS | Reel of 2000 | SN7534050NSR | SN7534050 |
| | | Tube of 25 | SN7534051N | SN7534051N |
| | SOP – NS | Reel of 1000 | SN7534051NS | SN7534051 |
| | | Reel of 2000 | SN7534051NSR | SN7534051 |

(1) Package drawings, standard packing quantities, thermal data, symbolization, and PCB design guidelines are available at www.ti.com/sc/package.

(2) For the most current package and ordering information, see the Package Option Addendum at the end of this document, or see the TI website at www.ti.com.



Please be aware that an important notice concerning availability, standard warranty, and use in critical applications of Texas Instruments semiconductor products and disclaimers thereto appears at the end of this data sheet.

FUNCTION TABLES

SN7534050, SN7534051
Each Driver⁽¹⁾

| INPUT D | ENABLE DE | OUTPUTS | |
|------------|--------------|---------|---|
| | | Y | Z |
| H | H | H | L |
| L | H | L | H |
| X | L | Z | Z |

- (1) H = high level, L = low level,
X = irrelevant, Z = high impedance (off)

SN7534050
Each Receiver⁽¹⁾

| DIFFERENTIAL INPUTS, A–B | ENABLE RE | OUTPUT R |
|---|-----------|----------|
| $V_{ID} \geq 0.2 \text{ V}$ | L | H |
| $-0.2 \text{ V} < V_{ID} < 0.2 \text{ V}$ | L | ? |
| $V_{ID} \leq -0.2 \text{ V}$ | L | L |
| X | H | Z |

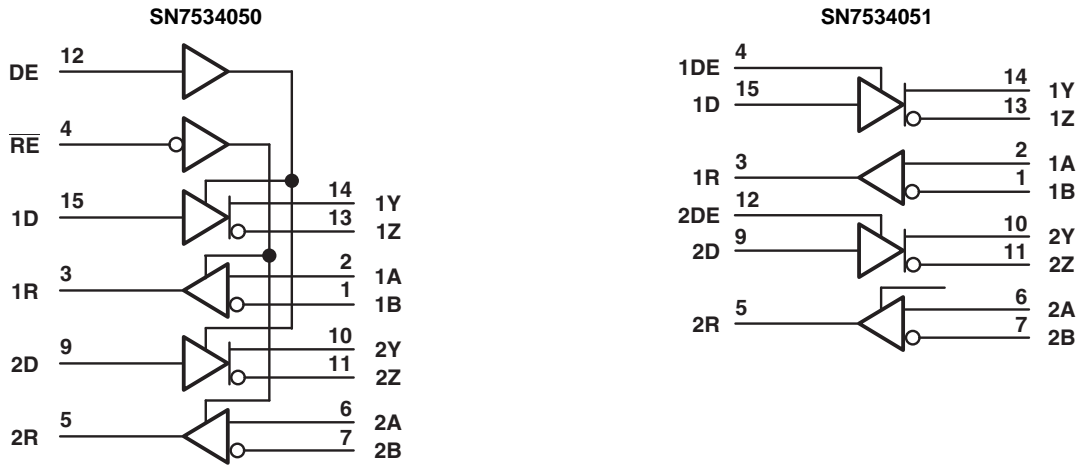
- (1) H = high level, L = low level, ? = indeterminate, X = irrelevant, Z = high impedance (off)

SN7534051
Each Receiver⁽¹⁾

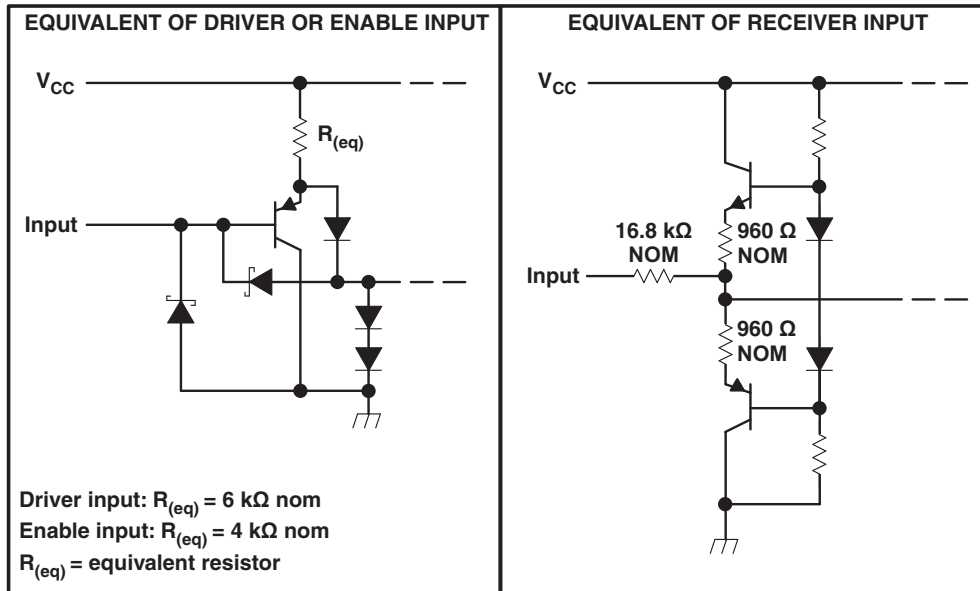
| DIFFERENTIAL INPUTS, A–B | OUTPUT R |
|---|----------|
| $V_{ID} \geq 0.2 \text{ V}$ | H |
| $-0.2 \text{ V} < V_{ID} < 0.2 \text{ V}$ | ? |
| $V_{ID} \leq -0.2 \text{ V}$ | L |

- (1) H = high level, L = low level,
? = indeterminate

LOGIC DIAGRAMS

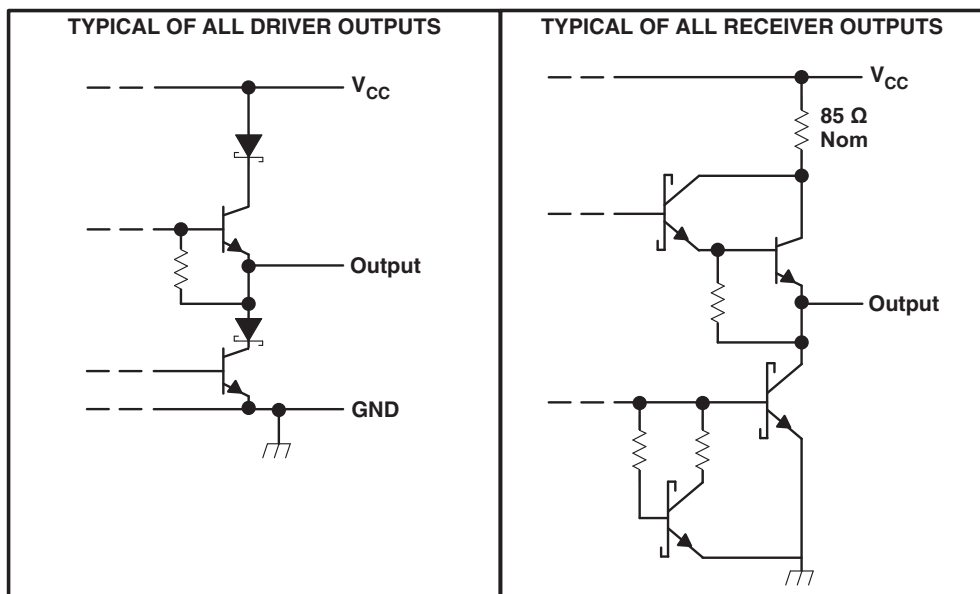


SCHEMATIC OF INPUTS



All resistor values are nominal.

SCHEMATIC OF OUTPUTS



All resistor values are nominal.

Absolute Maximum Ratings⁽¹⁾

over operating free-air temperature range (unless otherwise noted)

| | | MIN | MAX | UNIT |
|---|---|--------------------------------|-----|---------|
| V _{CC} | Supply voltage ⁽²⁾ | | 7 | V |
| V _I | Input voltage | DE, \overline{RE} , D inputs | | 7 V |
| V _I | Receiver input voltage | A or B inputs | | ±25 V |
| V _{ID} | Receiver differential output voltage ⁽³⁾ | | | ±25 V |
| V _O | Driver output voltage range | -10 | 15 | V |
| I _{OL} | Receiver low-level output current | | | 50 mA |
| θ _{JA} | Package thermal impedance ⁽⁴⁾ | N package | | 66 °C/W |
| | | NS package | | 68 °C/W |
| Operating free-air temperature range | | -20 | 85 | °C |
| T _{stg} | Storage temperature range | -65 | 150 | °C |
| Lead temperature, 1.6 mm (1/16 in) from case for 10 s | | | | 260 °C |

- (1) Stresses beyond those listed under "absolute maximum ratings" may cause permanent damage to the device. These are stress ratings only, and functional operation of the device at these or any other conditions beyond those indicated under "recommended operating conditions" is not implied. Exposure to absolute-maximum-rated conditions for extended periods may affect device reliability.
- (2) All voltages, except differential input voltage, are with respect to the network GND.
- (3) Differential input voltage is measured at the noninverting terminal, with respect to the inverting terminal.
- (4) The package thermal impedance is calculated in accordance with JESD 51, except for through-hole packages, which use a trace length of zero.

Recommended Operating Conditions

| | | MIN | NOM | MAX | UNIT |
|-----------------|--|----------|-----|------|-------|
| V _{CC} | Supply voltage | 4.75 | 5 | | V5.25 |
| V _{IH} | High-level input voltage | 2 | | | V |
| V _{IL} | Low-level input voltage | | | | |
| V _{IC} | Common-mode input voltage ⁽¹⁾ | Receiver | | ±7 | V |
| V _{ID} | Differential input voltage | Receiver | | ±12 | V |
| I _{OH} | High-level output current | Driver | | 40 | mA |
| | | Receiver | | –400 | μA |
| I _{OL} | Low-level output current | Driver | | –40 | mA |
| | | Receiver | | 16 | |
| T _A | Operating free-air temperature | –20 | | 85 | °C |

(1) Refer to TIA/EIA-422-B for exact conditions.

DRIVER SECTION

Electrical Characteristics

over recommended supply voltage and operating free-air temperature range (unless otherwise noted)

| PARAMETER | TEST CONDITIONS | | MIN | TYP ⁽¹⁾ | MAX | UNIT |
|------------------|--|--|--------------------------|--------------------|------|------|
| V _{OH} | High-level output voltage | V _{IH} = 2 V, V _{IL} = 0.8 V, I _{OH} = –20 mA | | 3.7 | | V |
| V _{OL} | Low-level output voltage | V _{IH} = 2 V, V _{IL} = 0.8 V, I _{OL} = 20 mA | | 1.1 | | V |
| V _{OD1} | Differential output voltage | I _O = 0 mA | 1.5 | | 6 | V |
| V _{OD2} | Differential output voltage ⁽²⁾ | R _L = 100 Ω, See Figure 1 | 2 | | | V |
| ΔV _{OD} | Change in magnitude of differential output voltage ⁽²⁾ | R _L = 100 Ω, See Figure 1 | | | ±0.4 | V |
| V _{OC} | Common-mode output voltage ⁽²⁾ | R _L = 100 Ω, See Figure 1 | | | ±3 | V |
| ΔV _{OC} | Change in magnitude of differential common-mode voltage ⁽²⁾ | R _L = 100 Ω, See Figure 1 | | | ±0.4 | V |
| I _{off} | Output current with power off ⁽²⁾ | V _{CC} = 0 V | V _O = 6 V | | 100 | μA |
| | | | V _O = –0.25 V | | –100 | |
| I _{OZ} | High-impedance-state output current | V _O = –0.25 V to 6 V | | | ±100 | μA |
| I _{IH} | High-level input current | V _I = 2.7 V | | | 20 | μA |
| I _{IL} | Low-level input current | V _I = 0.4 V | | | –100 | μA |
| I _{OS} | Short-circuit output current ⁽²⁾⁽³⁾ | V _O = V _{CC} or GND | –30 | | –150 | mA |
| I _{CC} | Supply current (total package) | No load | Output enabled | | 80 | mA |
| | | | Output disabled | | 50 | |

(1) All typical values are at V_{CC} = 5 V and T_A = 25°C.

(2) Refer to TIA-EIA-422-B for exact conditions.

(3) Not more than one output should be shorted at a time, and the duration of the short circuit should not exceed one second.

Switching Characteristics

$V_{CC} = 5\text{ V}$, $C_L = 50\text{ pF}$, $T_A = 25^\circ\text{C}$

| PARAMETER | TEST CONDITIONS | MIN | TYP | MAX | UNIT |
|---|---|-----|-----|-----|------|
| $t_{d(OD)}$ Differential output delay time | $R_L = 100\ \Omega$, $C_L = 50\text{ pF}$, See Figure 3 | | 20 | 25 | ns |
| $t_{t(OD)}$ Differential output transition time | $R_L = 100\ \Omega$, $C_L = 50\text{ pF}$, See Figure 3 | | 27 | 35 | ns |
| t_{PLH} Propagation delay time, low- to high-level output | $R_L = 27\ \Omega$, See Figure 4 | | 20 | 25 | ns |
| t_{PHL} Propagation delay time, high- to low-level output | $R_L = 27\ \Omega$, See Figure 4 | | 20 | 25 | ns |
| t_{PZH} Output enable time to high level | $R_L = 110\ \Omega$, See Figure 5 | | 80 | 120 | ns |
| t_{PZL} Output enable time to low level | $R_L = 110\ \Omega$, See Figure 6 | | 40 | 60 | ns |
| t_{PHZ} Output disable time from high level | $R_L = 110\ \Omega$, See Figure 5 | | 90 | 120 | ns |
| t_{PLZ} Output disable time from low level | $R_L = 110\ \Omega$, See Figure 6 | | 30 | 45 | ns |

RECEIVER SECTION

Electrical Characteristics

over operating free-air temperature range (unless otherwise noted)

| PARAMETER | TEST CONDITIONS | MIN | TYP ⁽¹⁾ | MAX | UNIT |
|--|--|---------------------|--------------------|-------------|---------------|
| V_{IT+} Positive-going input threshold voltage, differential input | | | | 0.2 | V |
| V_{IT-} Negative-going input threshold voltage, differential input | | -0.2 ⁽²⁾ | | | V |
| V_{hys} Input hysteresis ($V_{IT+} - V_{IT-}$) | | | 50 | | mV |
| V_{IK} Input clamp voltage, \overline{RE} | SN7534050 $I_I = -18\text{ mA}$ | | | -1.5 | V |
| V_{OH} High-level output voltage | $V_{ID} = 200\text{ mV}$, $I_{OH} = -400\ \mu\text{A}$, See Figure 2 | | 2.7 | | V |
| V_{OL} Low-level output voltage | $V_{ID} = -200\text{ mV}$, See Figure 2 | | | 0.45 0.5 | V |
| I_{OZ} High-impedance-state output current | SN7534050 $V_O = 0.4\text{ V to }2.4\text{ V}$ | | | ± 20 | μA |
| I_I Line input current | Other input at 0 V | | | 1.5 -2.5 | mA |
| I_{IH} High-level enable input current, \overline{RE} | SN7534050 $V_{IH} = 2.7\text{ V}$ | | | 20 | μA |
| I_{IL} Low-level enable input current, \overline{RE} | SN7534050 $V_{IL} = 0.4\text{ V}$ | | | -100 | μA |
| r_I Input resistance | | | 12 | | k Ω |
| I_{OS} Short circuit output current | | | -15 | -85 | mA |
| I_{CC} Supply current (total package) | No load, enabled | | 80 | 110 | mA |

(1) All typical values are at $V_{CC} = 5\text{ V}$ and $T_A = 25^\circ\text{C}$.

(2) The algebraic convention, where the less positive (more negative) limit is designated as minimum, is used in this data sheet for common-mode input voltage and threshold voltage levels.

Switching Characteristics

over operating free-air temperature range (unless otherwise noted)

| PARAMETER | TEST CONDITIONS | MIN | TYP | MAX | UNIT |
|---|--|-----|-----|-----|------|
| t_{PLH} Propagation delay time, low- to high-level output | $V_{ID} = 1.5\text{ V}$, $C_L = 15\text{ pF}$, See Figure 7 | | 20 | 35 | ns |
| t_{PHL} Propagation delay time, high- to low-level output | $V_{ID} = 1.5\text{ V}$, $C_L = 15\text{ pF}$, See Figure 7 | | 22 | 35 | ns |
| t_{PZH} Output enable time to high level | SN7534050 $C_L = 15\text{ pF}$, see Figure 8 | | 17 | 25 | ns |
| t_{PZL} Output enable time to low level | SN7534050 $C_L = 15\text{ pF}$, See Figure 8 | | 20 | 27 | ns |
| t_{PHZ} Output disable time from high level | SN7534050 $C_L = 15\text{ pF}$, See Figure 8 | | 25 | 40 | ns |
| t_{PLZ} Output disable time from low level | SN7534050 $C_L = 15\text{ pF}$, See Figure 8 | | 30 | 40 | ns |

PARAMETER MEASUREMENT INFORMATION

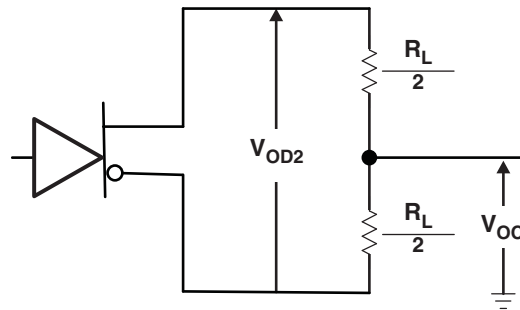


Figure 1. Driver Test Circuit,
 V_{OD} and V_{OC}

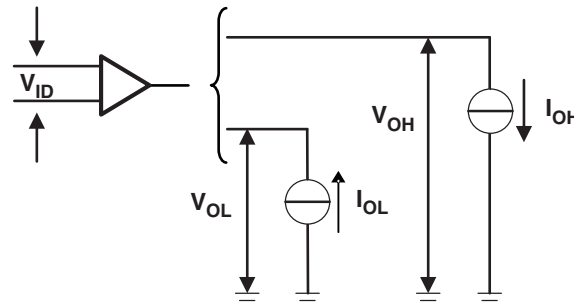
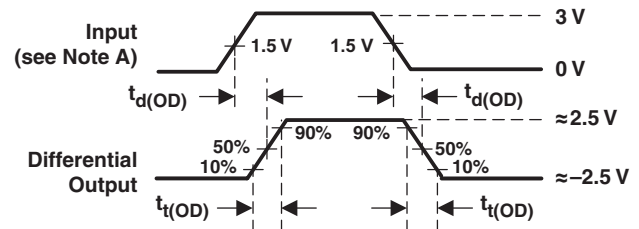
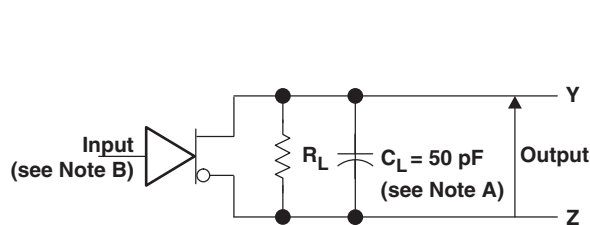


Figure 2. Receiver Test Circuit,
 V_{OH} and V_{OL}

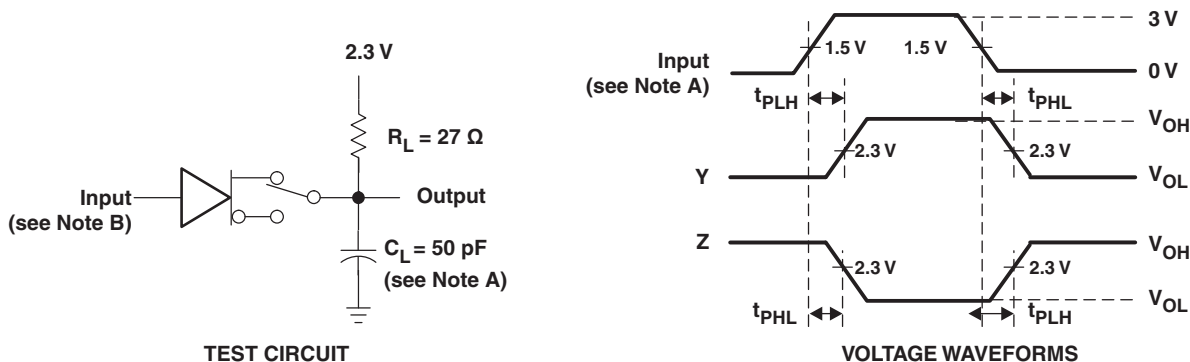


TEST CIRCUIT

- A. C_L includes probe and jig capacitance.
- B. The pulse generator has the following characteristics: $PRR \leq 1$ MHz, duty cycle = 50%, $t_r = t_f \leq 6$ ns.

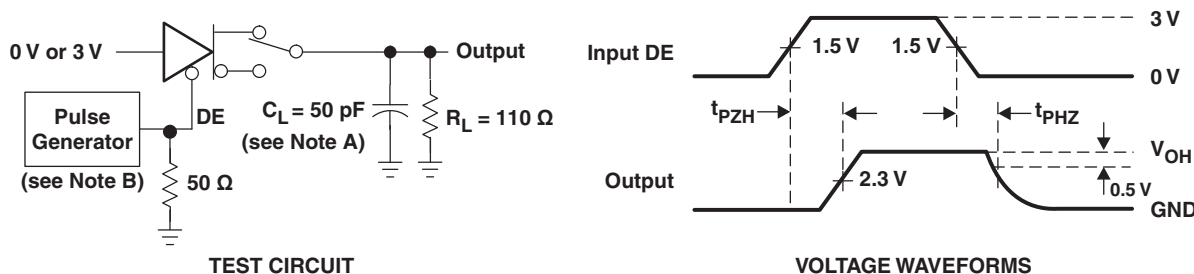
Figure 3. Driver Test Circuit and Voltage Waveforms,
 $t_{d(OD)}$ and $t_{r(OD)}$

PARAMETER MEASUREMENT INFORMATION (continued)



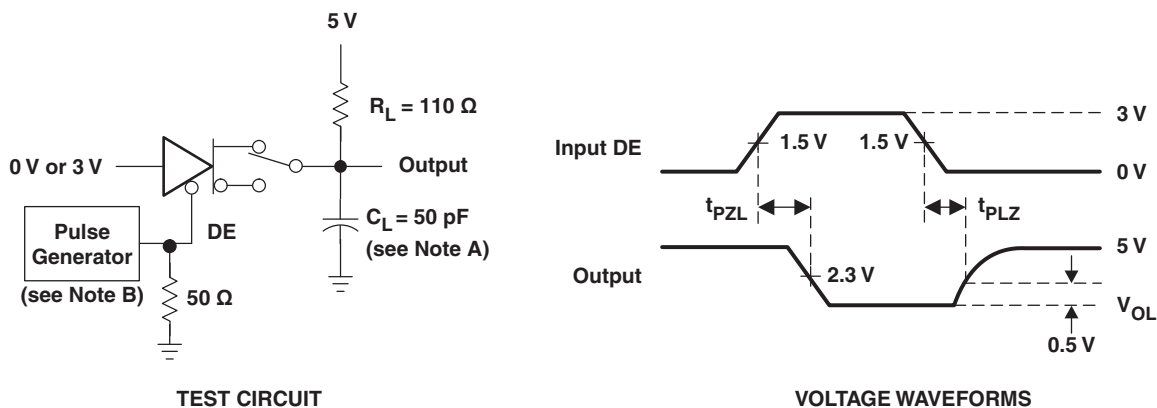
- A. C_L includes probe and jig capacitance.
- B. The pulse generator has the following characteristics: PRR \leq 1 MHz, duty cycle = 50%, $t_r = t_f \leq$ 6 ns.

Figure 4. Driver Test Circuit and Voltage Waveforms, t_{PLH} and t_{PHL}



- A. C_L includes probe and jig capacitance.
- B. The pulse generator has the following characteristics: PRR \leq 1 MHz, duty cycle = 50%, $t_r = t_f \leq$ 6 ns.

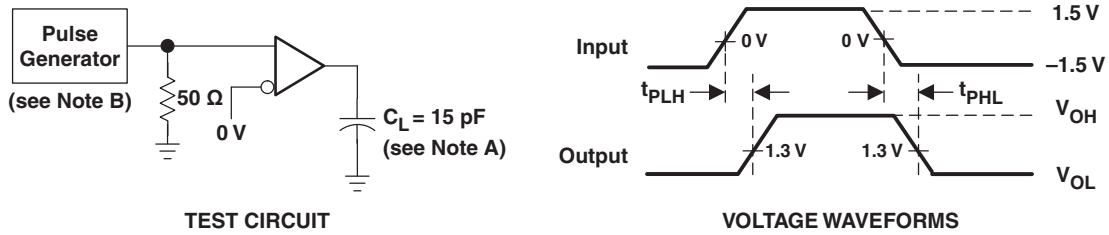
Figure 5. Driver Test Circuit and Voltage Waveforms, t_{PZH} and t_{PHZ}



- A. C_L includes probe and jig capacitance.
- B. The pulse generator has the following characteristics: PRR \leq 1 MHz, duty cycle = 50%, $t_r = t_f \leq$ 6 ns.

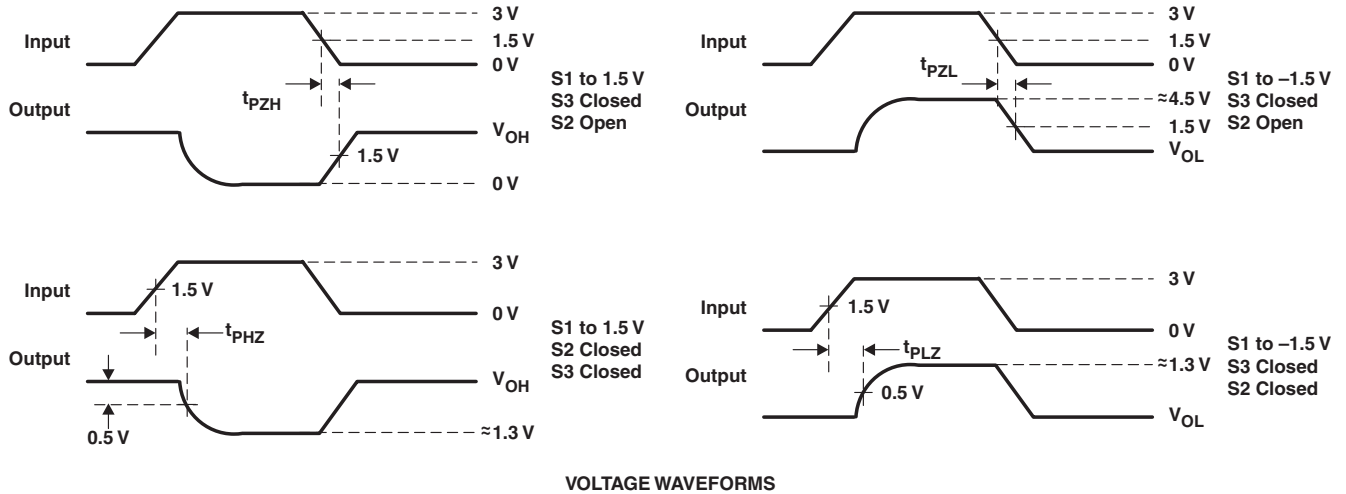
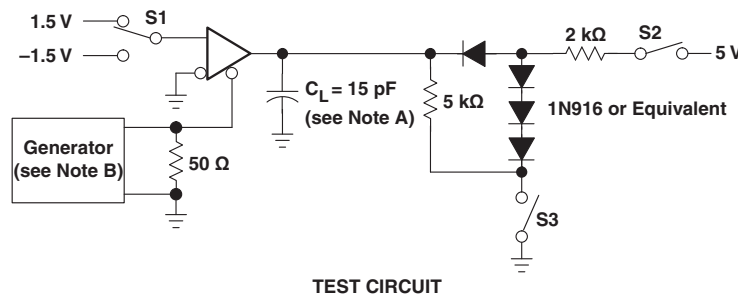
Figure 6. Driver Test Circuit and Voltage Waveforms, t_{PZL} and t_{PLZ}

PARAMETER MEASUREMENT INFORMATION (continued)



- A. C_L includes probe and jig capacitance.
- B. The pulse generator has the following characteristics: PRR \leq 1 MHz, duty cycle = 50%, $t_r = t_f \leq$ 6 ns.

Figure 7. Receiver Test Circuit and Voltage Waveforms, t_{PLH} and t_{PHL}



- A. C_L includes probe and jig capacitance.
- B. The pulse generator has the following characteristics: PRR \leq 1 MHz, duty cycle = 50%, $t_r = t_f \leq$ 6 ns.

Figure 8. Receiver Test Circuit and Voltage Waveforms, t_{PZH} , t_{PZL} , t_{PHZ} , t_{PLZ} (SN7534050)

PACKAGING INFORMATION

| Orderable Device | Status ⁽¹⁾ | Package Type | Package Drawing | Pins | Package Qty | Eco Plan ⁽²⁾ | Lead/Ball Finish | MSL Peak Temp ⁽³⁾ |
|------------------|-----------------------|--------------|-----------------|------|-------------|-------------------------|------------------|------------------------------|
| SN7534050N | ACTIVE | PDIP | N | 16 | 25 | Pb-Free (RoHS) | CU NIPDAU | N / A for Pkg Type |
| SN7534050NE4 | ACTIVE | PDIP | N | 16 | 25 | Pb-Free (RoHS) | CU NIPDAU | N / A for Pkg Type |
| SN7534050NS | ACTIVE | SO | NS | 16 | 50 | Green (RoHS & no Sb/Br) | CU NIPDAU | Level-1-260C-UNLIM |
| SN7534050NSE4 | ACTIVE | SO | NS | 16 | 50 | Green (RoHS & no Sb/Br) | CU NIPDAU | Level-1-260C-UNLIM |
| SN7534050NSG4 | ACTIVE | SO | NS | 16 | 50 | Green (RoHS & no Sb/Br) | CU NIPDAU | Level-1-260C-UNLIM |
| SN7534050NSR | ACTIVE | SO | NS | 16 | 2000 | Green (RoHS & no Sb/Br) | CU NIPDAU | Level-1-260C-UNLIM |
| SN7534050NSRE4 | ACTIVE | SO | NS | 16 | 2000 | Green (RoHS & no Sb/Br) | CU NIPDAU | Level-1-260C-UNLIM |
| SN7534050NSRG4 | ACTIVE | SO | NS | 16 | 2000 | Green (RoHS & no Sb/Br) | CU NIPDAU | Level-1-260C-UNLIM |
| SN7534051N | ACTIVE | PDIP | N | 16 | 25 | Pb-Free (RoHS) | CU NIPDAU | N / A for Pkg Type |
| SN7534051NE4 | ACTIVE | PDIP | N | 16 | 25 | Pb-Free (RoHS) | CU NIPDAU | N / A for Pkg Type |
| SN7534051NS | ACTIVE | SO | NS | 16 | 50 | Green (RoHS & no Sb/Br) | CU NIPDAU | Level-1-260C-UNLIM |
| SN7534051NSE4 | ACTIVE | SO | NS | 16 | 50 | Green (RoHS & no Sb/Br) | CU NIPDAU | Level-1-260C-UNLIM |
| SN7534051NSG4 | ACTIVE | SO | NS | 16 | 50 | Green (RoHS & no Sb/Br) | CU NIPDAU | Level-1-260C-UNLIM |
| SN7534051NSR | ACTIVE | SO | NS | 16 | 2000 | Green (RoHS & no Sb/Br) | CU NIPDAU | Level-1-260C-UNLIM |
| SN7534051NSRE4 | ACTIVE | SO | NS | 16 | 2000 | Green (RoHS & no Sb/Br) | CU NIPDAU | Level-1-260C-UNLIM |
| SN7534051NSRG4 | ACTIVE | SO | NS | 16 | 2000 | Green (RoHS & no Sb/Br) | CU NIPDAU | Level-1-260C-UNLIM |

⁽¹⁾ The marketing status values are defined as follows:

ACTIVE: Product device recommended for new designs.

LIFEBUY: TI has announced that the device will be discontinued, and a lifetime-buy period is in effect.

NRND: Not recommended for new designs. Device is in production to support existing customers, but TI does not recommend using this part in a new design.

PREVIEW: Device has been announced but is not in production. Samples may or may not be available.

OBSOLETE: TI has discontinued the production of the device.

⁽²⁾ Eco Plan - The planned eco-friendly classification: Pb-Free (RoHS), Pb-Free (RoHS Exempt), or Green (RoHS & no Sb/Br) - please check <http://www.ti.com/productcontent> for the latest availability information and additional product content details.

TBD: The Pb-Free/Green conversion plan has not been defined.

Pb-Free (RoHS): TI's terms "Lead-Free" or "Pb-Free" mean semiconductor products that are compatible with the current RoHS requirements for all 6 substances, including the requirement that lead not exceed 0.1% by weight in homogeneous materials. Where designed to be soldered at high temperatures, TI Pb-Free products are suitable for use in specified lead-free processes.

Pb-Free (RoHS Exempt): This component has a RoHS exemption for either 1) lead-based flip-chip solder bumps used between the die and package, or 2) lead-based die adhesive used between the die and leadframe. The component is otherwise considered Pb-Free (RoHS compatible) as defined above.

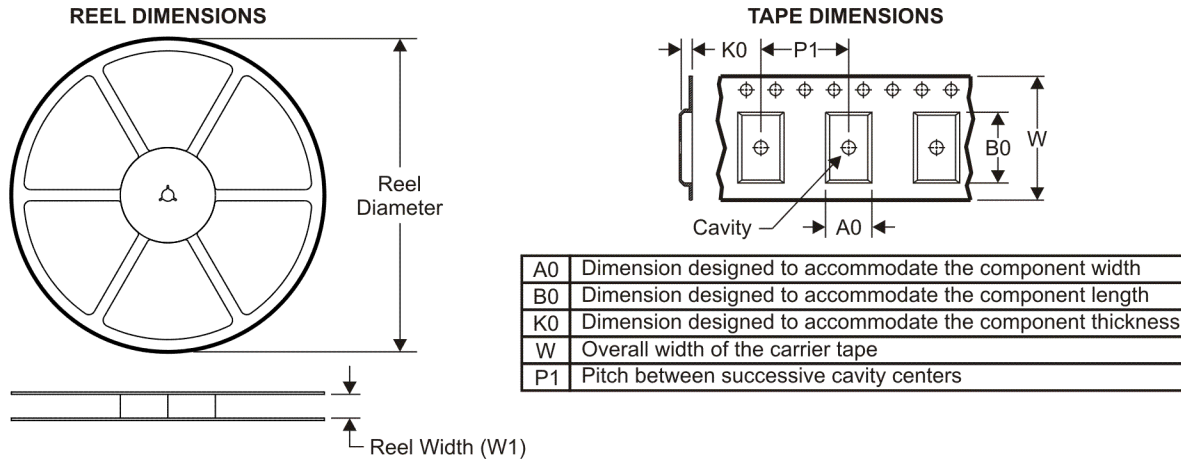
Green (RoHS & no Sb/Br): TI defines "Green" to mean Pb-Free (RoHS compatible), and free of Bromine (Br) and Antimony (Sb) based flame retardants (Br or Sb do not exceed 0.1% by weight in homogeneous material)

⁽³⁾ MSL, Peak Temp. -- The Moisture Sensitivity Level rating according to the JEDEC industry standard classifications, and peak solder temperature.

Important Information and Disclaimer:The information provided on this page represents TI's knowledge and belief as of the date that it is provided. TI bases its knowledge and belief on information provided by third parties, and makes no representation or warranty as to the accuracy of such information. Efforts are underway to better integrate information from third parties. TI has taken and continues to take reasonable steps to provide representative and accurate information but may not have conducted destructive testing or chemical analysis on incoming materials and chemicals. TI and TI suppliers consider certain information to be proprietary, and thus CAS numbers and other limited information may not be available for release.

In no event shall TI's liability arising out of such information exceed the total purchase price of the TI part(s) at issue in this document sold by TI to Customer on an annual basis.

TAPE AND REEL INFORMATION



QUADRANT ASSIGNMENTS FOR PIN 1 ORIENTATION IN TAPE



*All dimensions are nominal

| Device | Package Type | Package Drawing | Pins | SPQ | Reel Diameter (mm) | Reel Width W1 (mm) | A0 (mm) | B0 (mm) | K0 (mm) | P1 (mm) | W (mm) | Pin1 Quadrant |
|--------------|--------------|-----------------|------|------|--------------------|--------------------|---------|---------|---------|---------|--------|---------------|
| SN7534050NSR | SO | NS | 16 | 2000 | 330.0 | 16.4 | 8.2 | 10.5 | 2.5 | 12.0 | 16.0 | Q1 |
| SN7534051NSR | SO | NS | 16 | 2000 | 330.0 | 16.4 | 8.2 | 10.5 | 2.5 | 12.0 | 16.0 | Q1 |

TAPE AND REEL BOX DIMENSIONS



*All dimensions are nominal

| Device | Package Type | Package Drawing | Pins | SPQ | Length (mm) | Width (mm) | Height (mm) |
|--------------|--------------|-----------------|------|------|-------------|------------|-------------|
| SN7534050NSR | SO | NS | 16 | 2000 | 346.0 | 346.0 | 33.0 |
| SN7534051NSR | SO | NS | 16 | 2000 | 346.0 | 346.0 | 33.0 |

MECHANICAL DATA

NS (R-PDSO-G**)

PLASTIC SMALL-OUTLINE PACKAGE

14-PINS SHOWN



- NOTES:
- A. All linear dimensions are in millimeters.
 - B. This drawing is subject to change without notice.
 - C. Body dimensions do not include mold flash or protrusion, not to exceed 0,15.

IMPORTANT NOTICE

Texas Instruments Incorporated and its subsidiaries (TI) reserve the right to make corrections, modifications, enhancements, improvements, and other changes to its products and services at any time and to discontinue any product or service without notice. Customers should obtain the latest relevant information before placing orders and should verify that such information is current and complete. All products are sold subject to TI's terms and conditions of sale supplied at the time of order acknowledgment.

TI warrants performance of its hardware products to the specifications applicable at the time of sale in accordance with TI's standard warranty. Testing and other quality control techniques are used to the extent TI deems necessary to support this warranty. Except where mandated by government requirements, testing of all parameters of each product is not necessarily performed.

TI assumes no liability for applications assistance or customer product design. Customers are responsible for their products and applications using TI components. To minimize the risks associated with customer products and applications, customers should provide adequate design and operating safeguards.

TI does not warrant or represent that any license, either express or implied, is granted under any TI patent right, copyright, mask work right, or other TI intellectual property right relating to any combination, machine, or process in which TI products or services are used. Information published by TI regarding third-party products or services does not constitute a license from TI to use such products or services or a warranty or endorsement thereof. Use of such information may require a license from a third party under the patents or other intellectual property of the third party, or a license from TI under the patents or other intellectual property of TI.

Reproduction of TI information in TI data books or data sheets is permissible only if reproduction is without alteration and is accompanied by all associated warranties, conditions, limitations, and notices. Reproduction of this information with alteration is an unfair and deceptive business practice. TI is not responsible or liable for such altered documentation. Information of third parties may be subject to additional restrictions.

Resale of TI products or services with statements different from or beyond the parameters stated by TI for that product or service voids all express and any implied warranties for the associated TI product or service and is an unfair and deceptive business practice. TI is not responsible or liable for any such statements.

TI products are not authorized for use in safety-critical applications (such as life support) where a failure of the TI product would reasonably be expected to cause severe personal injury or death, unless officers of the parties have executed an agreement specifically governing such use. Buyers represent that they have all necessary expertise in the safety and regulatory ramifications of their applications, and acknowledge and agree that they are solely responsible for all legal, regulatory and safety-related requirements concerning their products and any use of TI products in such safety-critical applications, notwithstanding any applications-related information or support that may be provided by TI. Further, Buyers must fully indemnify TI and its representatives against any damages arising out of the use of TI products in such safety-critical applications.

TI products are neither designed nor intended for use in military/aerospace applications or environments unless the TI products are specifically designated by TI as military-grade or "enhanced plastic." Only products designated by TI as military-grade meet military specifications. Buyers acknowledge and agree that any such use of TI products which TI has not designated as military-grade is solely at the Buyer's risk, and that they are solely responsible for compliance with all legal and regulatory requirements in connection with such use.

TI products are neither designed nor intended for use in automotive applications or environments unless the specific TI products are designated by TI as compliant with ISO/TS 16949 requirements. Buyers acknowledge and agree that, if they use any non-designated products in automotive applications, TI will not be responsible for any failure to meet such requirements.

Following are URLs where you can obtain information on other Texas Instruments products and application solutions:

Products

| | |
|-----------------------------|--|
| Amplifiers | amplifier.ti.com |
| Data Converters | dataconverter.ti.com |
| DSP | dsp.ti.com |
| Clocks and Timers | www.ti.com/clocks |
| Interface | interface.ti.com |
| Logic | logic.ti.com |
| Power Mgmt | power.ti.com |
| Microcontrollers | microcontroller.ti.com |
| RFID | www.ti-rfid.com |
| RF/IF and ZigBee® Solutions | www.ti.com/lprf |

Applications

| | |
|--------------------|--|
| Audio | www.ti.com/audio |
| Automotive | www.ti.com/automotive |
| Broadband | www.ti.com/broadband |
| Digital Control | www.ti.com/digitalcontrol |
| Medical | www.ti.com/medical |
| Military | www.ti.com/military |
| Optical Networking | www.ti.com/opticalnetwork |
| Security | www.ti.com/security |
| Telephony | www.ti.com/telephony |
| Video & Imaging | www.ti.com/video |
| Wireless | www.ti.com/wireless |

Mailing Address: Texas Instruments, Post Office Box 655303, Dallas, Texas 75265
Copyright © 2008, Texas Instruments Incorporated